

Complete Barrier Protection

PEOPLE PROTECTION ■ PROPERTY PROTECTION ■ CODE COMPLIANCE



www.torbeckind.com

800-333-0080

Complete Barrier Protection

PEOPLE PROTECTION ■ PROPERTY PROTECTION ■ CODE COMPLIANCE

Torbeck Industries is a leading producer of engineered products and safety equipment used in manufacturing, warehousing and distribution facilities throughout North America.

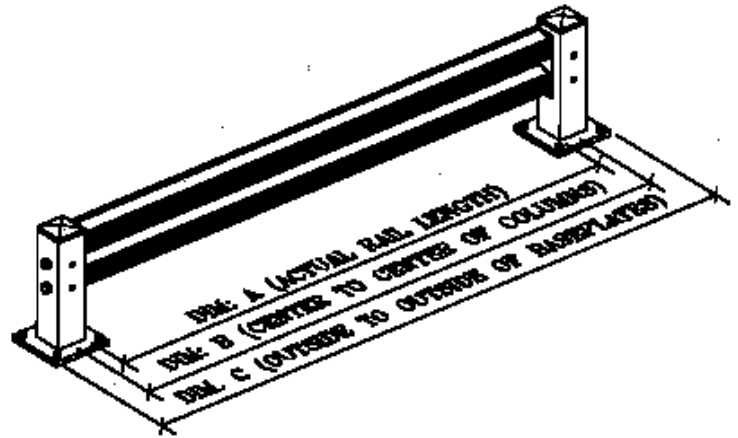
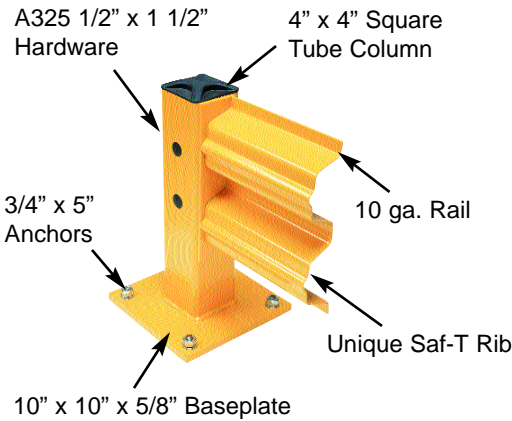
The Torbeck Saf-T-Products name is your assurance of quality products designed to pay for themselves through reductions in injuries, maintenance and repair costs, claims and downtime. Our products offer safety solutions that protect your employees, equipment and facilities, and improve your code compliance.

Saf-T-Rail



Saf-T-Rail is the premium rail on the market today, offering strong protection for mezzanines, in-plant offices, conveyors, water mains, valuable equipment and personnel.

- 10,000 lb. load at 4 mph rating
- Easy to install- simple layout with universal column and all the anchors and hardware included
- Lift out rail available
- Rail available 3', 4', 5', 6', 7', 8', 9' and 10' lengths. Single rail columns are 18" high, double and triple rail columns are 42" high.



RAIL	DIM: A	DIM: B	DIM: C
R3	31 7/16"	36"	46"
R4	43 7/16"	48"	58"
R5	55 7/18"	60"	70"
R6	67 7/16"	72"	82"
R7	79 7/16"	84"	94"
R8	91 7/16"	96"	106"
R9	103 7/16"	108"	118"
R10	115 7/16"	120"	130"

For More Information About Torbeck Saf-T-Products, Call or Visit Us Online

www.torbeckind.com

800-333-0080

Saf-T-Gard



Keep your personnel and visitors safe around active forklift aisles, dock areas and drop offs.

- Reusable, lightweight and corrosion resistant
- OSHA two-rail and BOCA three-rail compliant
- 3/8" x 3 3/4" wedge anchors included

Designed to protect vulnerable door tracks from forklift impact.

- Eliminates expensive overhead door repairs and dock downtime
- Manufactured from 3/16" steel- available in 24", 36" and 48" heights
- 3/8" base anchors included



Trak Armor

Bollards



Bollards are a versatile barrier that can be easily installed indoors or outdoors to protect doorways, building passages and separate forklift/pedestrian aisles.

- Available in standard duty and heavy duty
- 42" high in 4" and 6" diameter
- 1/2" x 5" screw anchors included

Overhead protection for doors, conveyors, mechanical, gas and water lines.

- Quick and easy to install
- Available in 10', 12' and 16' heights
- 1/2" x 5" screw anchors included



Saf-T-Header

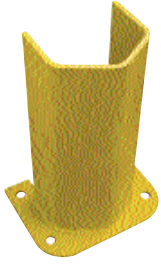
Saf-T-Corner



Saf-T-Corner protects vulnerable office and wall corners, edges and walls, reducing repair and replacement costs.

- Full gusset to withstand impact
- Available in 18" height
- 1/2" x 5" screw anchors included

Post Gard



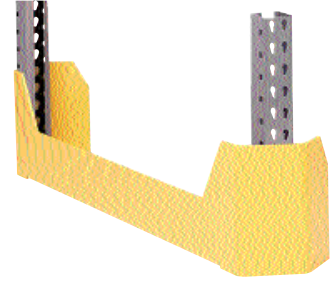
Designed to prevent pallet rack upright post damage and reduce costly rack maintenance.

- Standard Duty available in 12", 18", 24", 36" and 48" heights
- Heavy Duty available in 12" height

**Anchors not included*

Designed to protect pallet rack row ends from impact when forklift traffic enters the aisle.

- Protect vulnerable end-posts from all directions
- Available for single or double row applications for 42" and 48" upright depths
- 3/8" x 4" screw anchors included



Rack Gard

Authorized Distributor: